

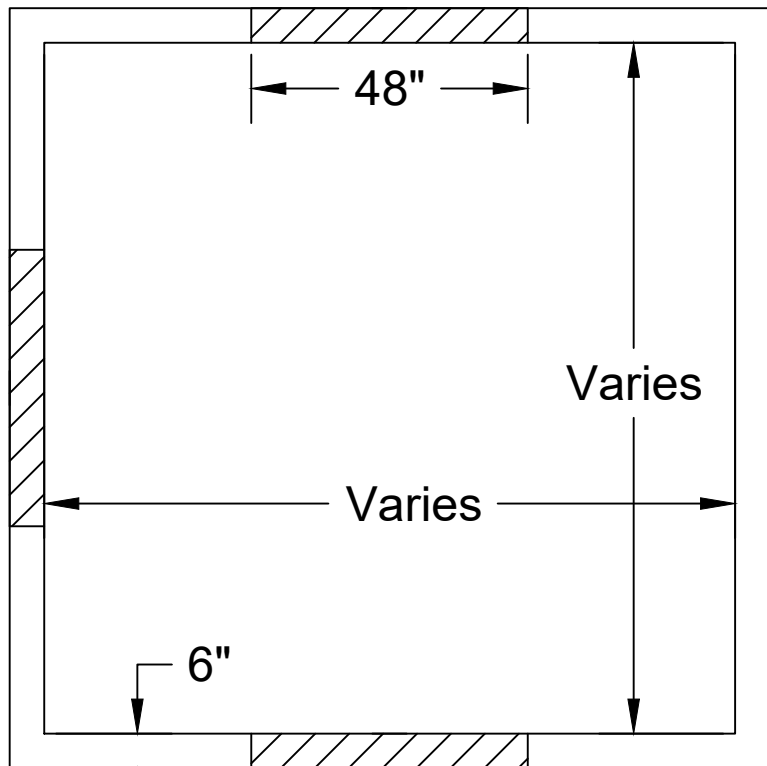


**Jarrett Concrete Products** 615-792-9332  
2012 Hwy 12 South, Ashland City, TN 37015

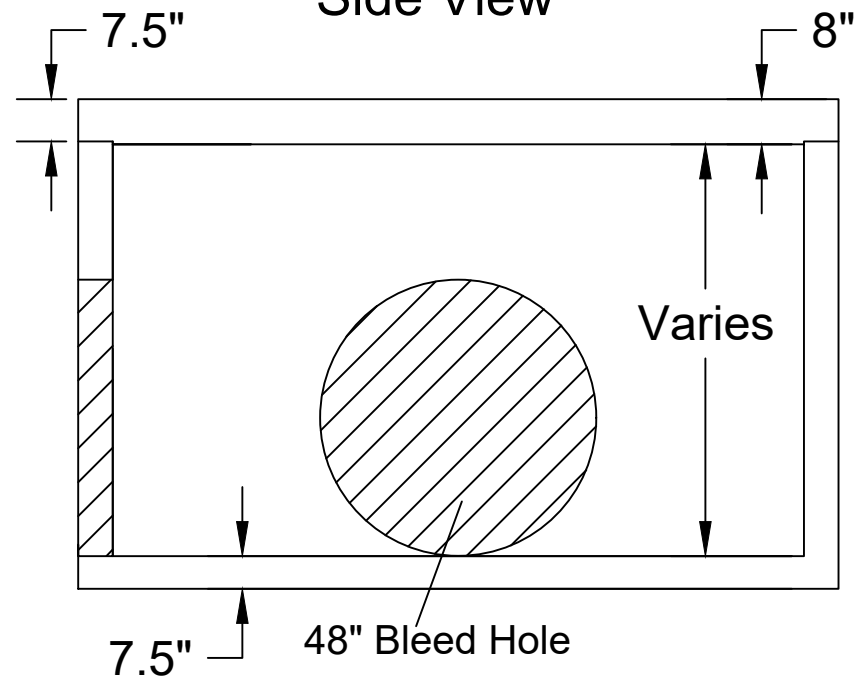
28 Day 6,000 PSI Concrete, G60 Rebar, #4 Rebar @ 9 o.c.e.w. (Floor)  
#4 Rebar @ 9" o.c.e.w. (Walls), #5 Rebar @ 9" o.c.e.w. (Lid)  
HS20-44 Rated, Pod Volume Varies Between 400-800 Cubic Feet  
Rain Ports Can Be Added to Lid and/or Rain Drain can be Added to Floor  
Steps Centered to Access Hole, Access Hole Not Needed in Every Pod  
Bleed Hole Placement Based On Tailored Pod Configuration  
Patent Pending, Heaviest Pick Weight 33,000 lbs



Top View



Side View



**Rain Cave™ Water Detention System**

Date: 11-7-2023 Drawn By: L.Owen Weight: Varies

**RC3**

