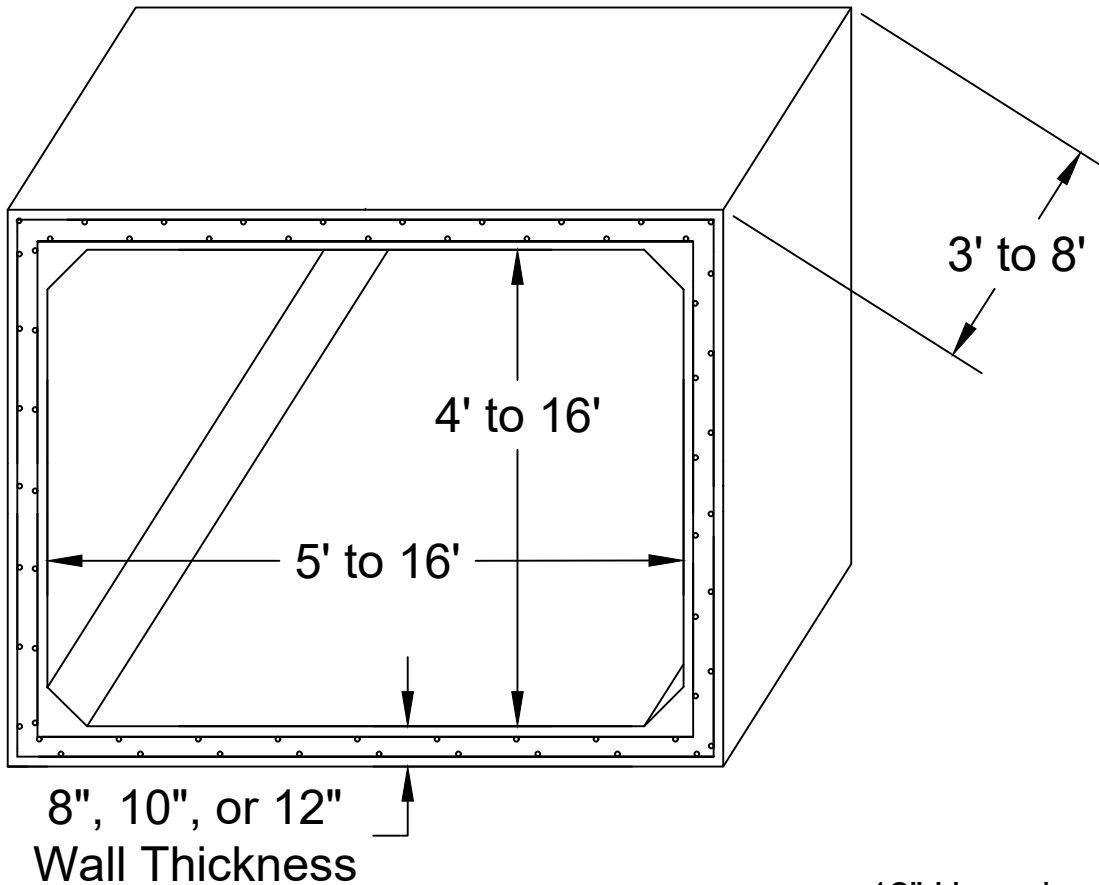




Jarrett Concrete Products 615-792-9332
2012 Hwy 12 South, Ashland City, TN 37015



12" Haunches
All Rebar Meets ASTM A1064
H-20 Traffic Rated
28 Day, 6,000 PSI Concrete
Meets or Exceeds HL-93
Minimum Concrete Cover Over Steel Shall be 2.5"
Installation of a Minimum of 1' Cover Required
Installation per Design Engineer
+/- $\frac{1}{2}$ " Tolerance

Box Culvert

Date: 11-1-2023 Drawn By: L.Owen Weight: up to 45k lbs