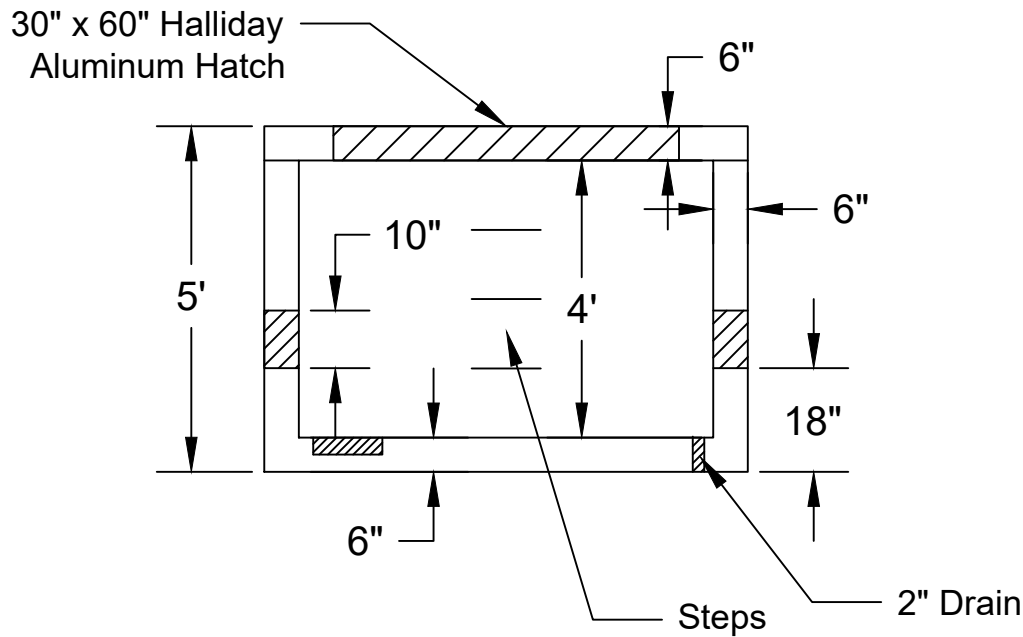


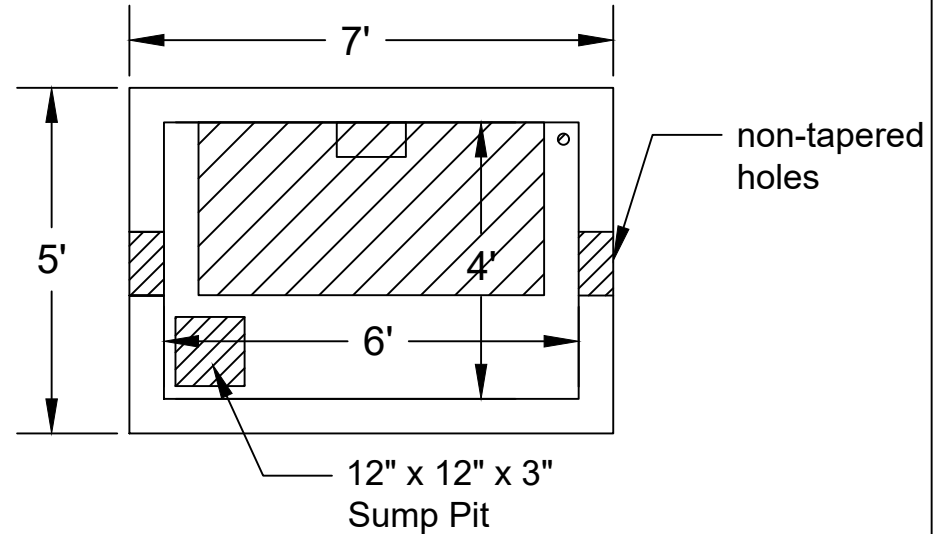
Jarrett Concrete Products 615-792-9332
 2012 Hwy 12 South, Ashland City, TN 37015



Side View



Top View



Vault Tag: _____

Hatch Tag: _____

for internal use

6' x 4' x 4' Meter Vault

Date: 11-8-2023 Drawn By: L.Owen Weight: 10,335 lbs

28 Day, 5,000 PSI Concrete
 G-60 #4 Rebar @ 12" o.c.e.w.
 Meets ASTM C-1227, 990, 923
 +/- 1/2" Tolerance

Heaviest Pick
 Weight 8,737 lbs