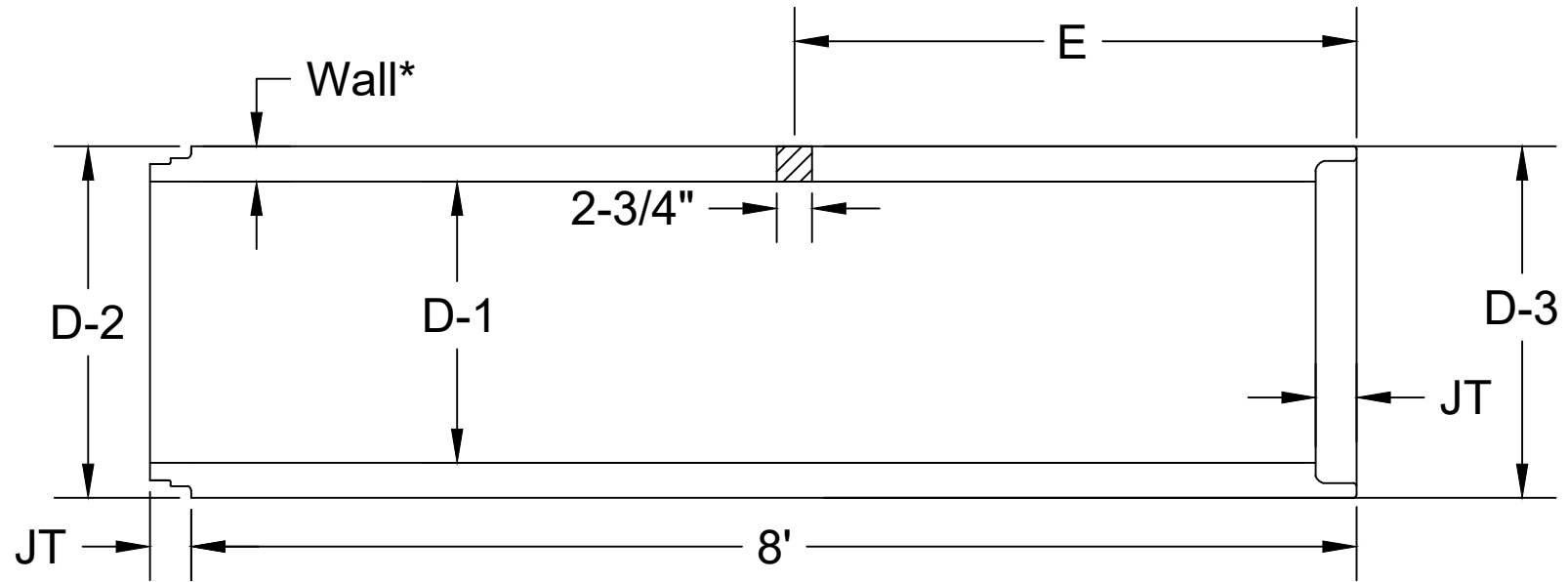




**Jarrett Concrete Products** 615-792-9332  
 2012 Hwy 12 South, Ashland City, TN 37015

**NOTES:**  
 ALL DIMENSIONS SUBJECT TO ALLOWABLE  
 SPECIFICATIONS TOLERANCES  
 AVAILABLE IN CLASS III, IV AND V



**Pipe Dimension Chart**

SIZE	WALL*	JT	D-1	D-2	D-3	E	Weight
48"	5"	4-1/4"	48"	58"	58-1/8"	49-1/8"	7,095 lbs.

**48" RCP**

Date: 11-17-2023

Drawn By: L.Owen

**(B-Wall)**

**MATERIALS:**

CONCRETE: 4,000 PSI, TYPE I/II CEMENT  
 CONFORMS TO ASTM C-76  
 JOINT CONFORMS TO ASTM C-443