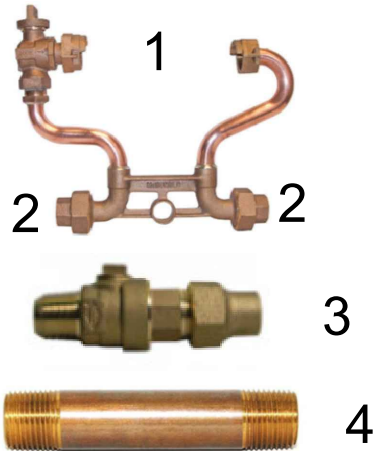


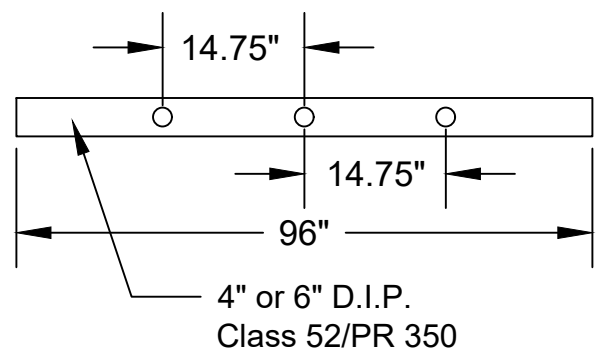


Jarrett Concrete Products 615-792-9332
 2012 Hwy 12 South, Ashland City, TN 37015

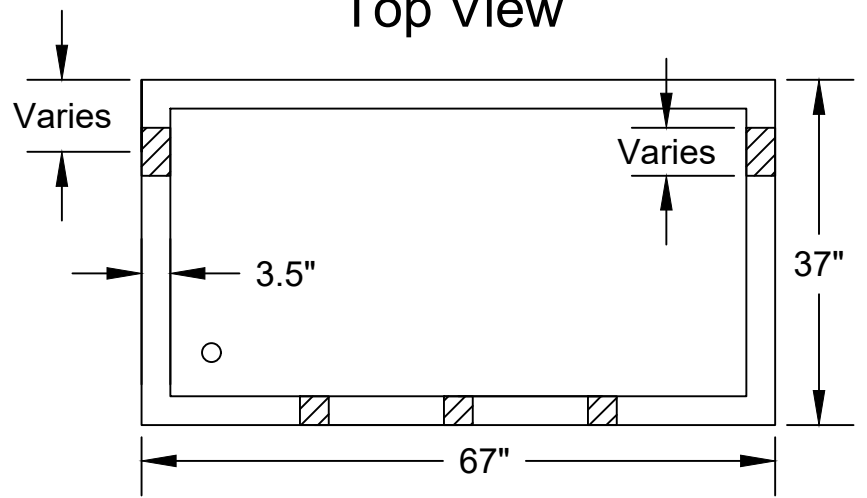


- 1. Meter Setter
- 2. Multi-Purpose Adapter
- 3. Corporation Stop
- 4. Brass Nipples

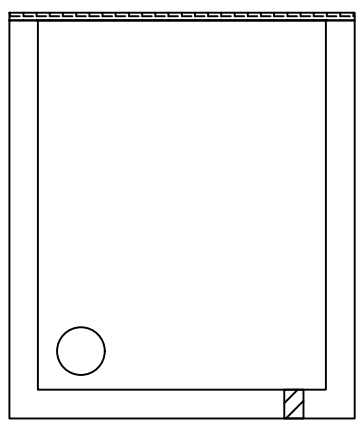
Pipe Detail For Taps



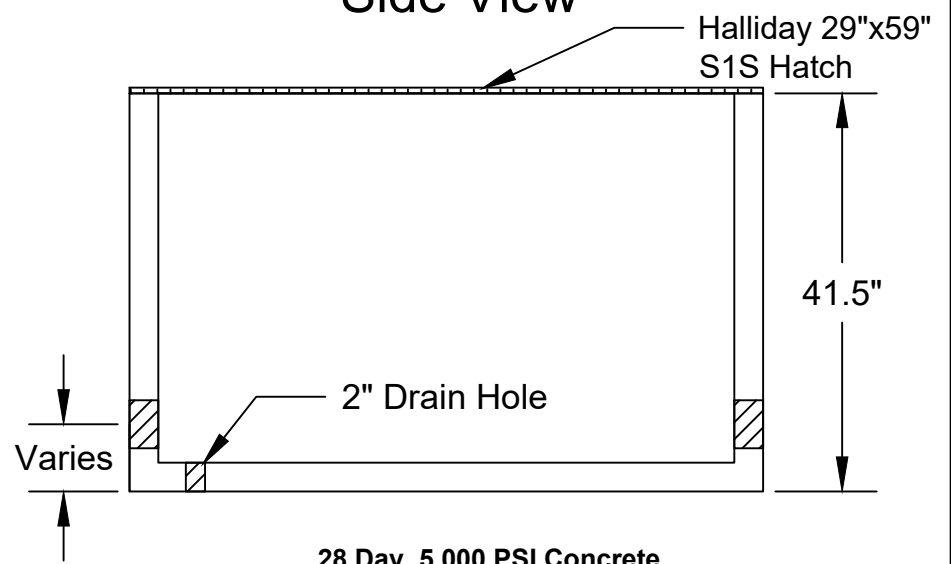
Top View



End View



Side View



**Internal component part numbers and configurations varies from city to city.*

28 Day, 5,000 PSI Concrete
 G-60 #3 Rebar @ 12" o.c.e.w.
 Meets ASTM C-1227, 990, 923
 +/- 1/2" Tolerance
 Print Not to Scale

37" x 67" x 41.5" OD 3-Gang Meter Vault

Date: 11-29-2023	Drawn By: L.Owen	Approx Empty Vault Weight: 3,100 lbs
------------------	------------------	--------------------------------------