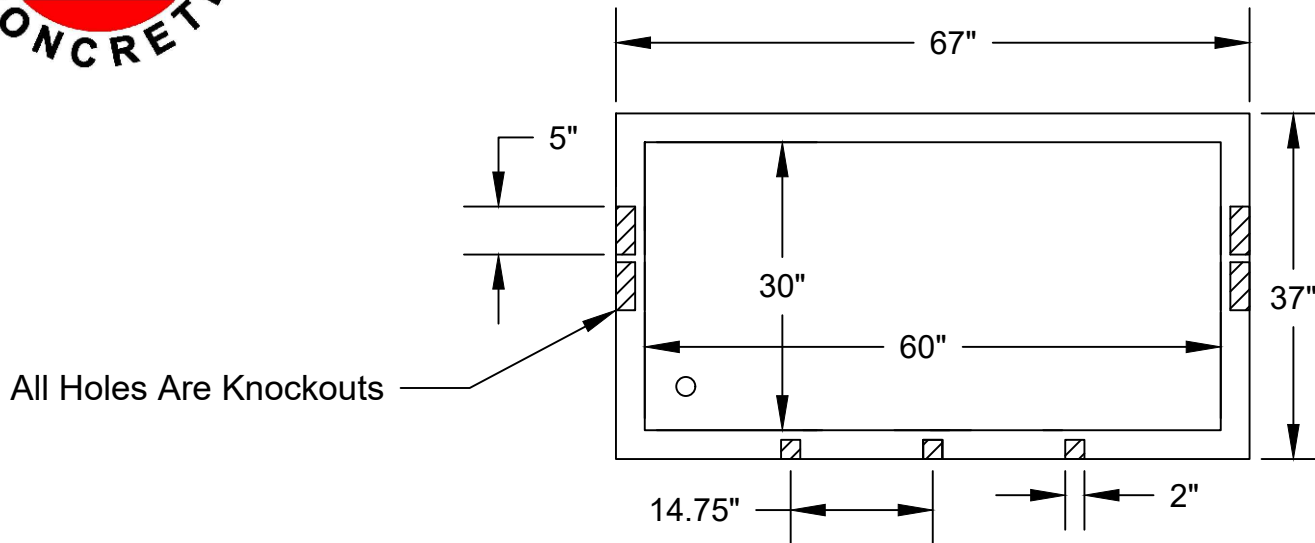


**Jarrett Concrete Products** 615-792-9332  
2012 Hwy 12 South, Ashland City, TN 37015

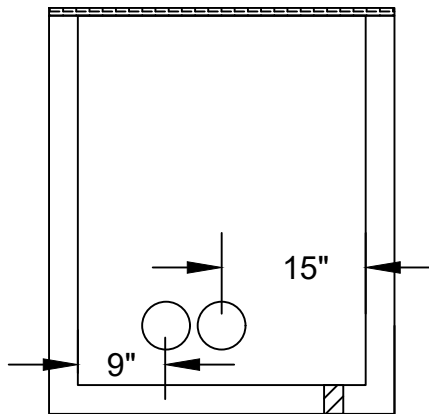


28 Day, 5,000 PSI Concrete  
G-60 #3 Rebar @ 12" o.c.e.w.  
Meets ASTM C-1227, 990, 923  
+/- 1/2" Tolerance  
Print Not to Scale

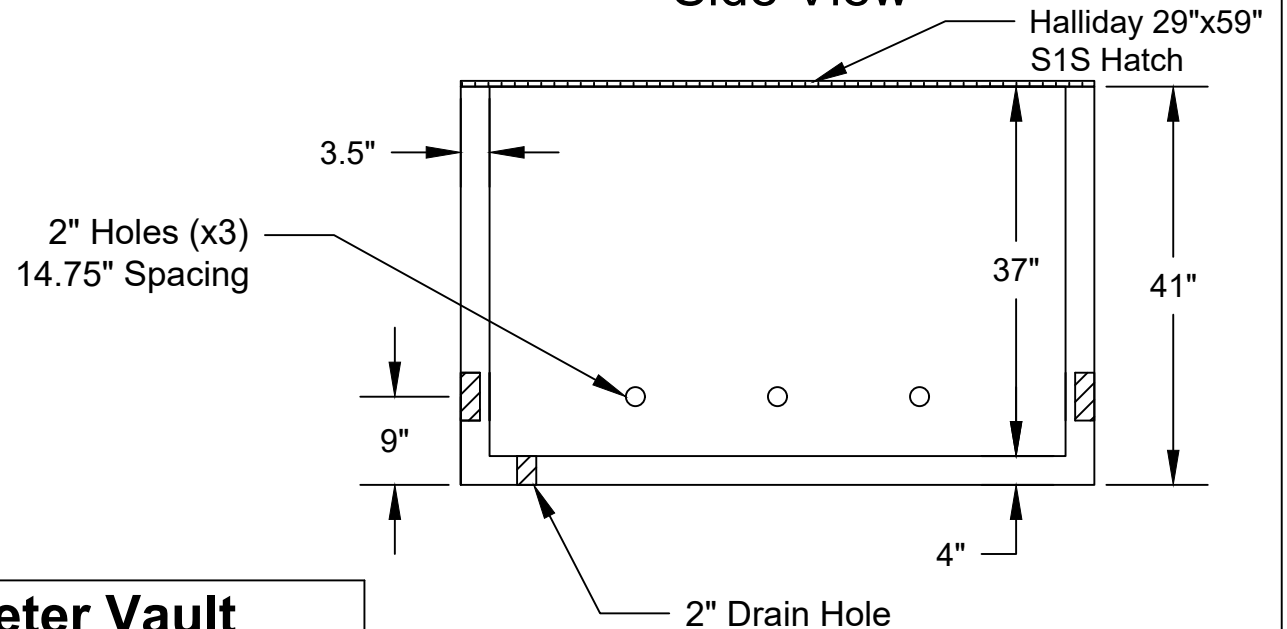
Top View



End View



Side View



**30" x 60" x 37" 3-Gang Meter Vault**

Date: 12-5-2024

Drawn By: L.Owen

Approx Empty Vault  
Weight: 3,100 lbs