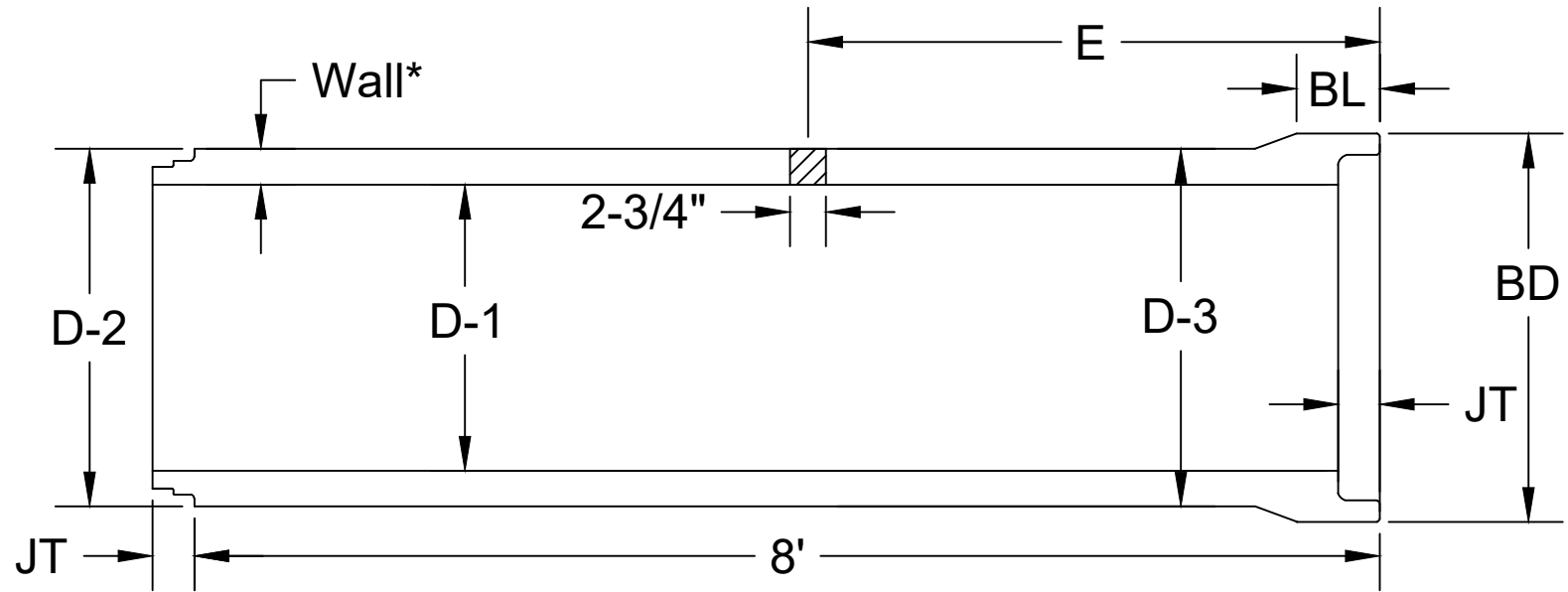




Jarrett Concrete Products 615-792-9332
 2012 Hwy 12 South, Ashland City, TN 37015

NOTES:
 ALL DIMENSIONS SUBJECT TO ALLOWABLE
 SPECIFICATIONS TOLERANCES
 AVAILABLE IN CLASS III, IV AND V



Pipe Dimension Chart

SIZE	WALL*	JT	D-1	D-2	D-3	BL	BD	E	Weight
15"	2-11/32"	3-1/2"	15"	19-11/16"	20-1/16"	6-1/2"	23-1/8"	46-9/16"	1,195 lbs.
18"	2-1/2"	3-1/2"	18"	23"	23-3/8"	6-1/2"	26-5/8"	46-1/2"	1,530 lbs.
24"	3"	3-1/2"	24"	30"	30-1/4"	7"	32-5/8"	47-9/16"	2,275 lbs.
30"	3-1/2"	3-1/2"	30"	37"	37-1/8"	7"	39-1/2"	47-7/8"	3,325 lbs.
36"	4"	3-1/2"	36"	44"	44-1/8"	7"	45-5/8"	48-7/16"	4,355 lbs.
42"	4-1/2"	4"	42"	51"	51-1/8"	7"	52"	49"	5,295 lbs.

15", 18", 24", 30", 36", & 42" RCP

MATERIALS:

CONCRETE: 4,000 PSI, TYPE I/II CEMENT
 CONFORMS TO ASTM C-76
 JOINT CONFORMS TO ASTM C-443

Date: 11-17-2023 Drawn By: L.Owen

(B-Wall)