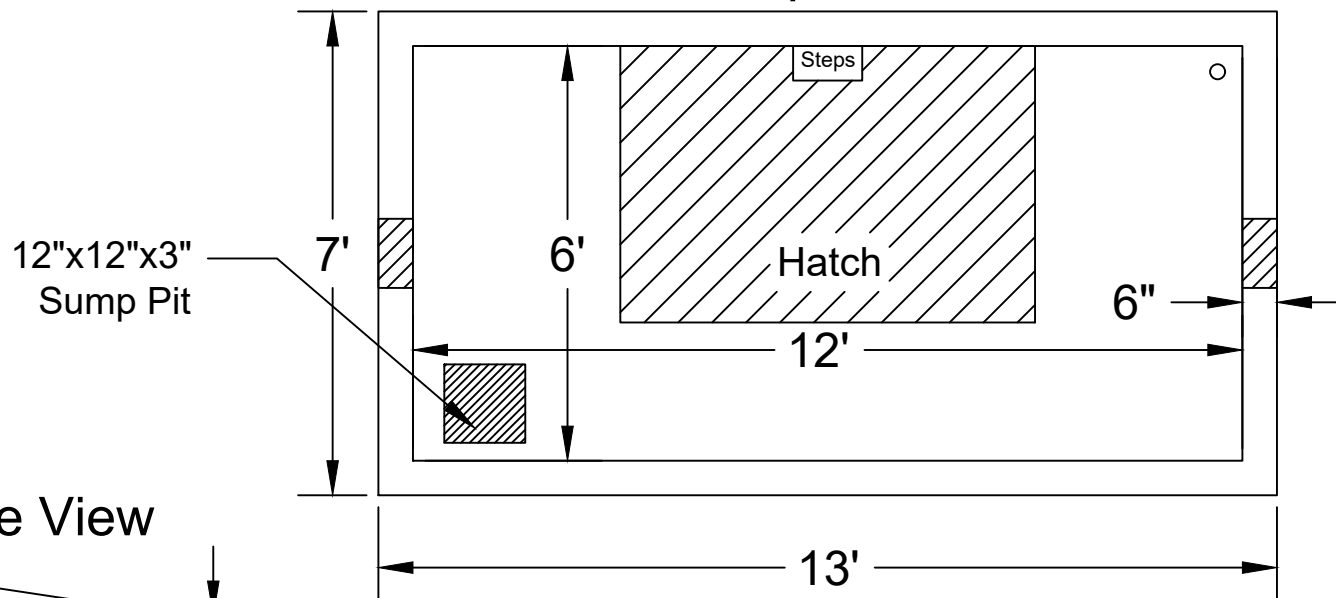


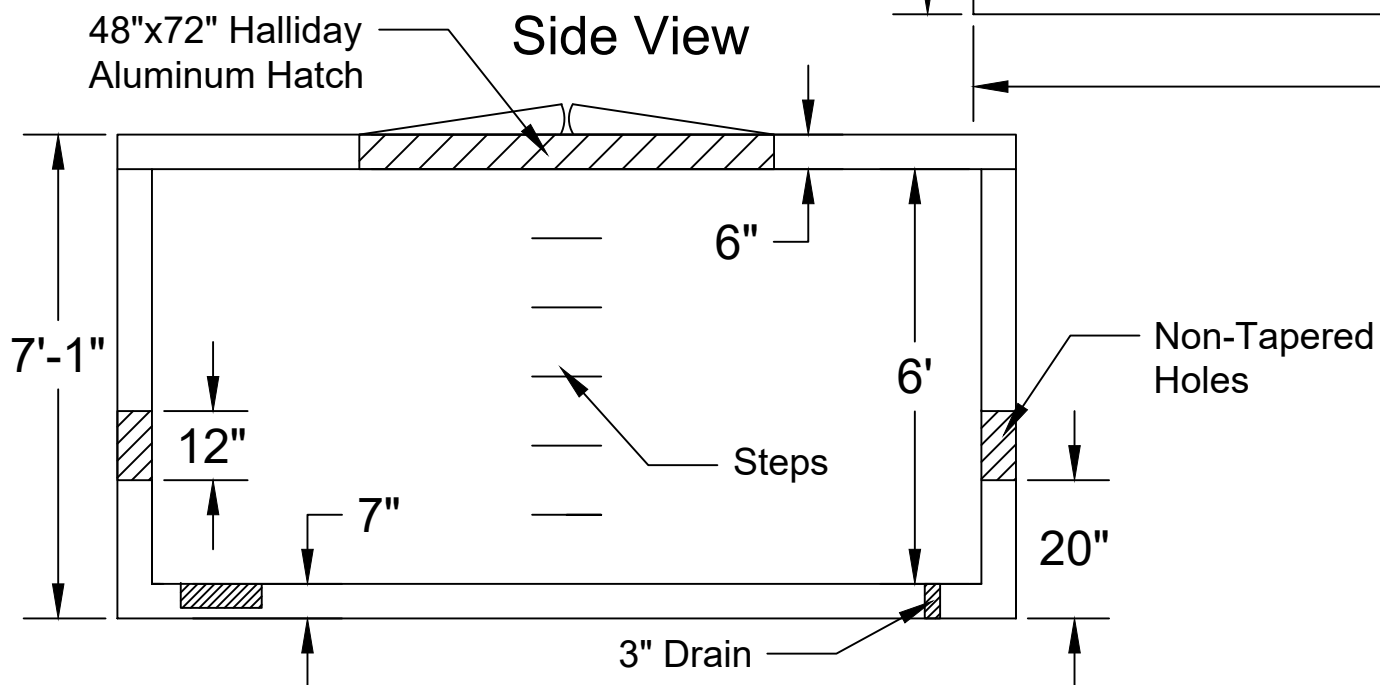
**Jarrett Concrete Products** 615-792-9332  
2012 Hwy 12 South, Ashland City, TN 37015



### Top View



### Side View



Vault Tag: \_\_\_\_\_  
Hatch Tag: \_\_\_\_\_  
*for internal use*

## 12' x 6' x 6' Metro Meter Vault

28 Day, 5,000 PSI Concrete  
#4 Rebar @ 12" O.C.E.W.  
Meets ATSM C923 & C990  
Steps Centered to Hatch

Heaviest Pick  
Weight 23,728 lbs

Date: 11-8-2023 Drawn By: L.Owen Weight: 28,488 lbs