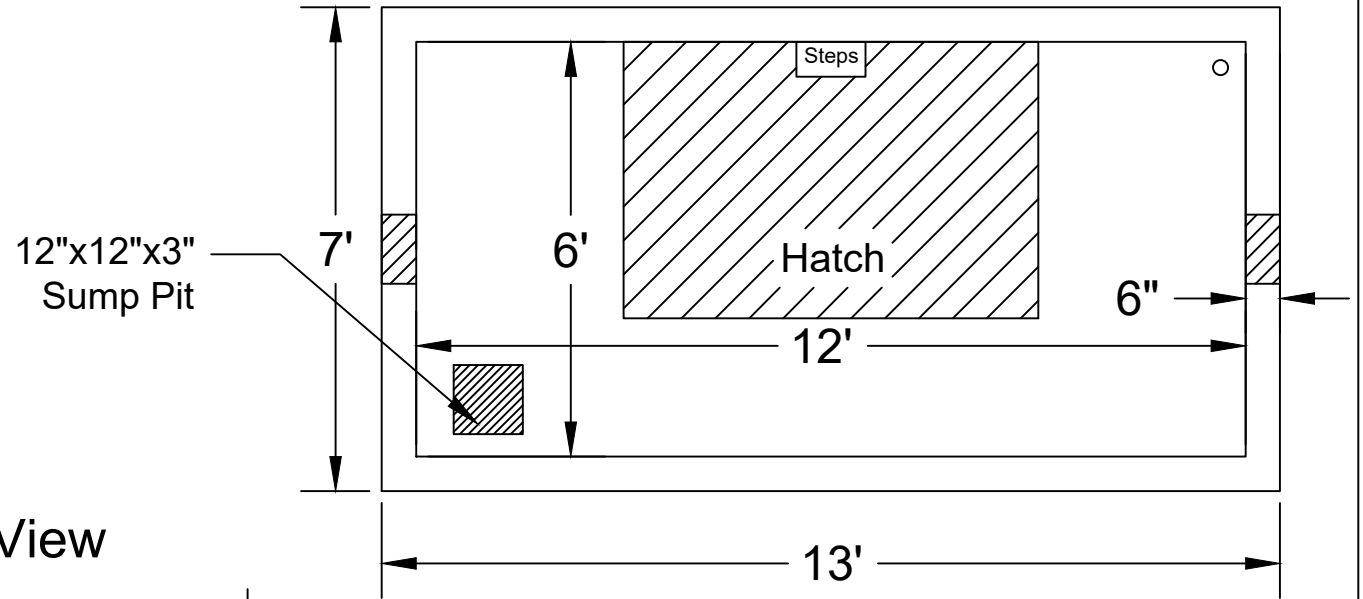




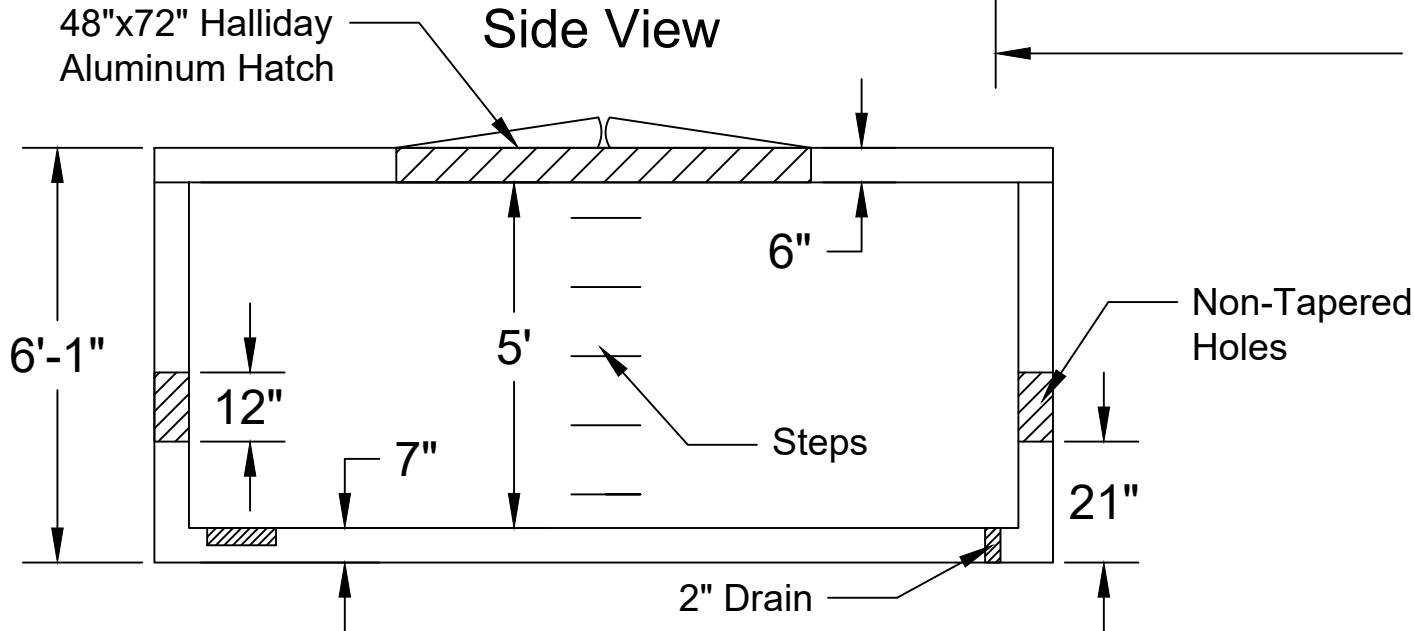
**Jarrett Concrete Products** 615-792-9332  
 2012 Hwy 12 South, Ashland City, TN 37015



**Top View**



**Side View**



Vault Tag: \_\_\_\_\_  
 Hatch Tag: \_\_\_\_\_  
*for internal use*

**12' x 6' x 5' Meter Vault**

28 Day, 5,000 PSI Concrete  
 #4 Rebar @ 12" O.C.E.W.  
 Meets ATSM C923 & C990  
 Steps Centered to Hatch

Heaviest Pick  
 Weight 21,029 lbs

Date: 11-8-2023 Drawn By: L.Owen Weight: 25,789 lbs