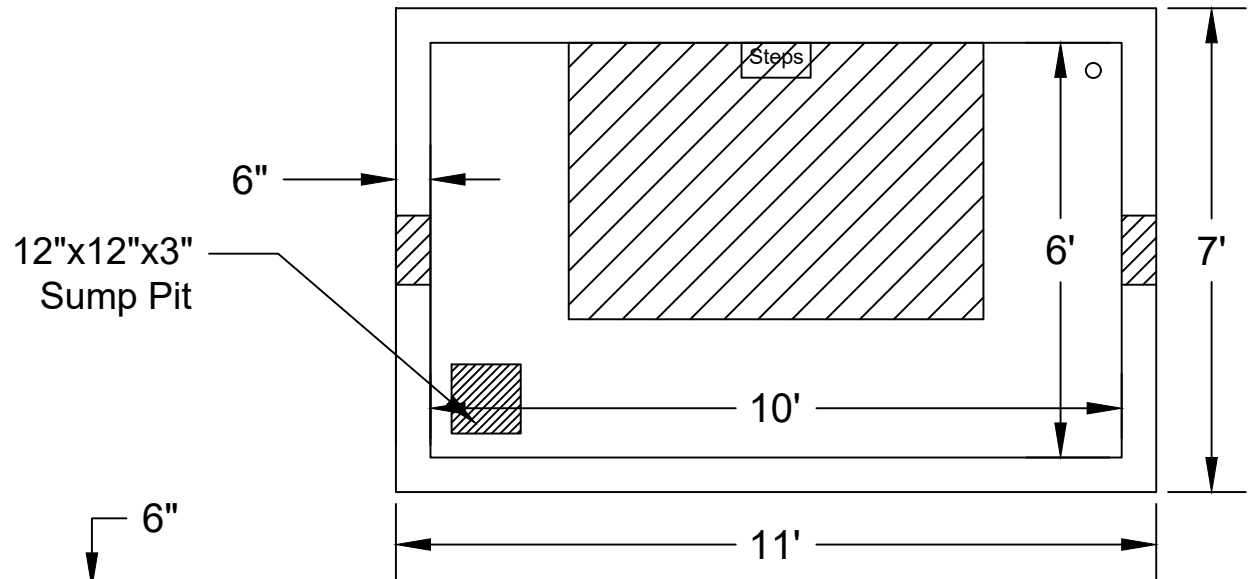




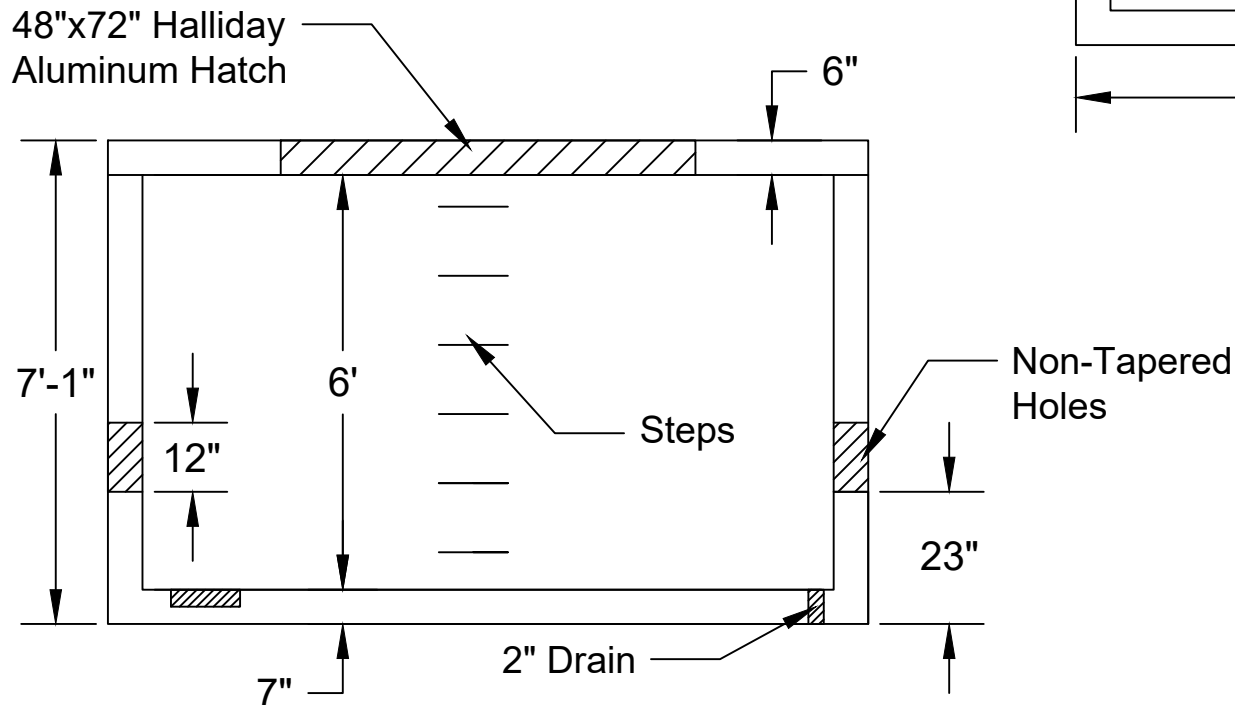
**Jarrett Concrete Products** 615-792-9332  
2012 Hwy 12 South, Ashland City, TN 37015



Top View



Side View



Vault Tag: \_\_\_\_\_  
Hatch Tag: \_\_\_\_\_  
*for internal use*

**10' x 6' x 5' Meter Vault**

28 Day, 5,000 PSI Concrete  
G-60 #4 Rebar @ 12" o.c.e.w.  
Meets ASTM C-1227, 990, 923  
+/- 1/2" Tolerance

Heaviest Pick  
Weight 20,864 lbs

Date: 11-9-2023 Drawn By: L.Owen Weight: 26,334 lbs