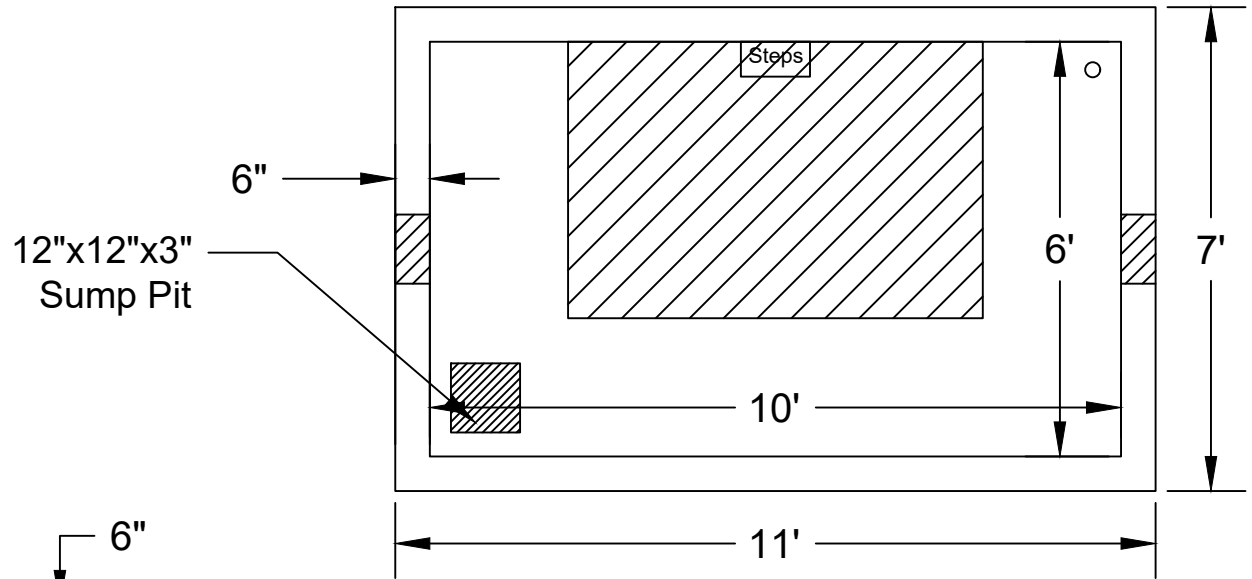


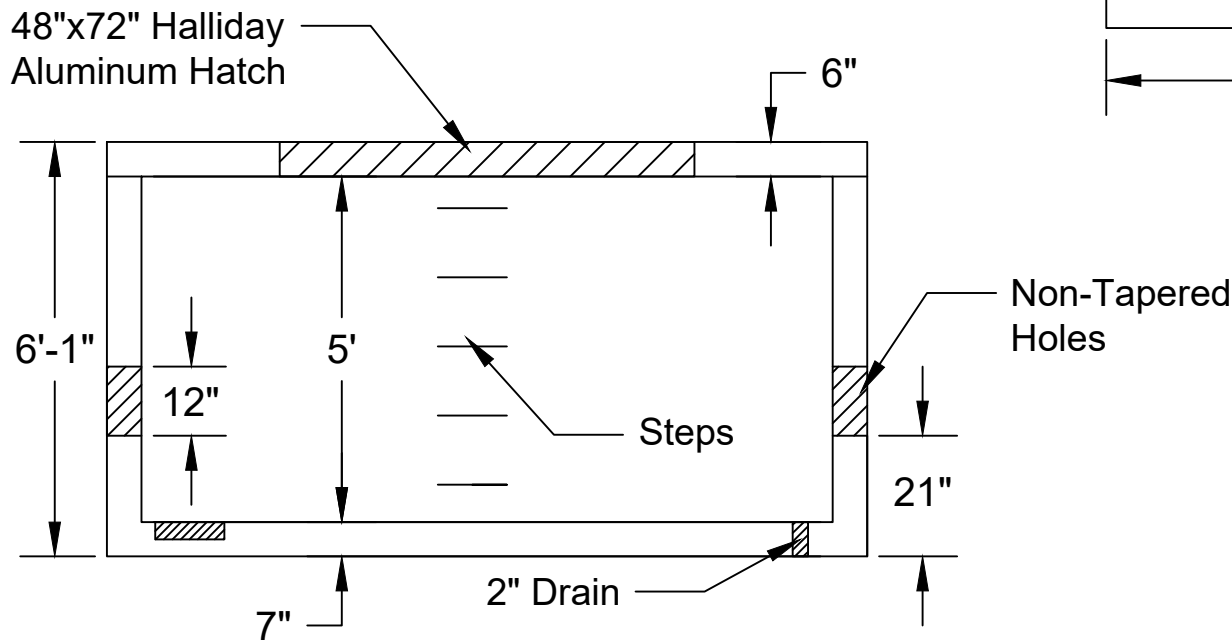
Jarrett Concrete Products 615-792-9332
 2012 Hwy 12 South, Ashland City, TN 37015



Top View



Side View



Vault Tag: _____
 Hatch Tag: _____
for internal use

10' x 6' x 5' Meter Vault

28 Day, 5,000 PSI Concrete
 G-60 #4 Rebar @ 12" o.c.e.w.
 Meets ASTM C-1227, 990, 923
 +/- 1/2" Tolerance

Heaviest Pick
Weight 18,449 lbs

Date: 11-9-2023 Drawn By: L.Owen Weight: 22,214 lbs