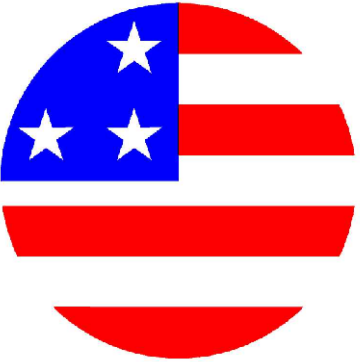


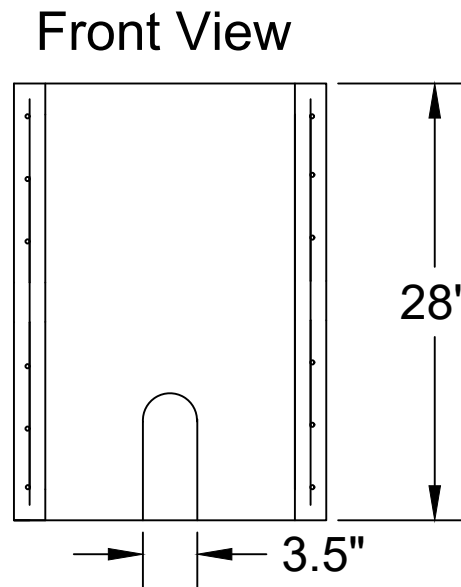
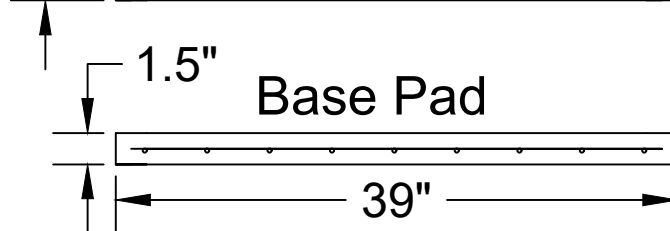
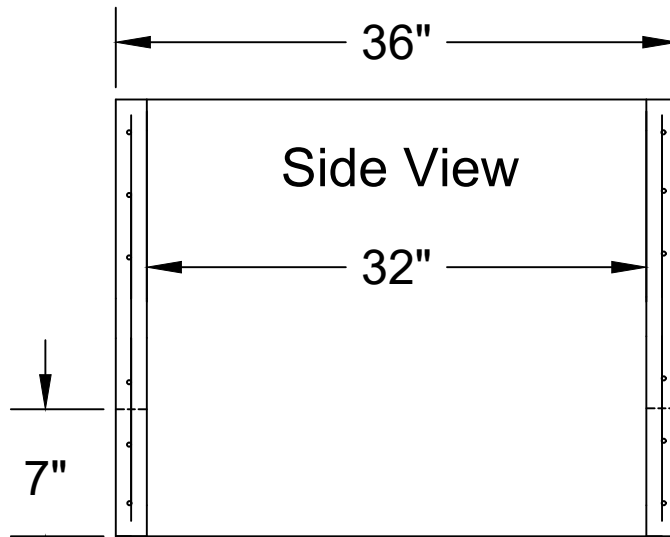
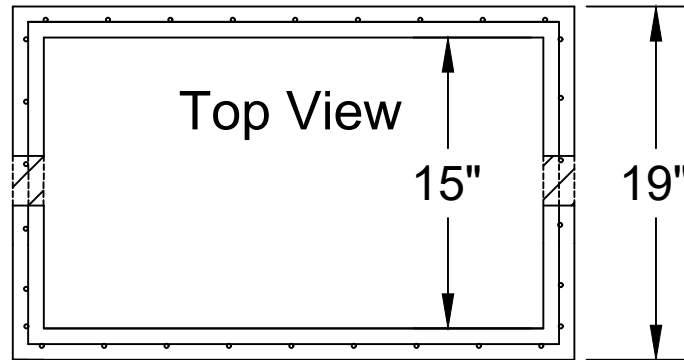
**JARRETT**



**CONCRETE**

**Jarrett Concrete Products** 615-792-9332  
2012 Hwy 12 South, Ashland City, TN 37015

28 Day, 5,000 PSI Concrete  
#3 Rebar on 12" Centers  
Print Not To Scale



1" Meter Box

Date: 8-8-2019

Drawn By: L.Owen

Weight: 485 lbs

